

LB1-UW06x-x Cabinet Loudspeakers

www.boschsecurity.com



BOSCH
Invented for life



- ▶ Good speech intelligibility and background music reproduction
- ▶ Available in black or white
- ▶ MDF construction
- ▶ With or without integral volume control
- ▶ Complies with international installation and safety regulations

The LB1-UW06x-x is a 6 W, general-purpose, cost-effective loudspeaker for indoor use, with or without volume control. Keyholes at the rear are provided for quick and easy wall mounting. The angled front baffle results in a better sound in the listening area. The cabinet is available in black or white.

higher customer satisfaction, longer operating life, and much less chance of failure or performance deterioration.

Safety acc. to EN 60065

Functions

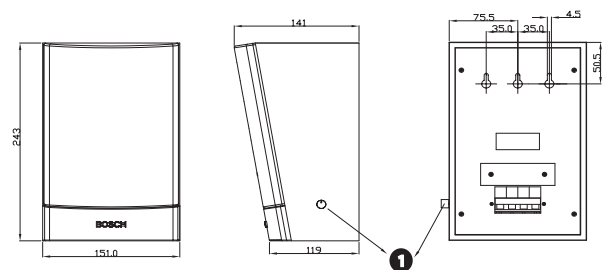
The robust, solid MDF (medium density fiber board) enclosures are covered with a durable, easy-to-clean vinyl in a choice of white or black. The ABS fronts are covered with fine woven cloth in matching color. The angled front baffle results in improved high frequency reproduction in the listening area. The speaker is available with or without a volume control.

Installation/configuration notes

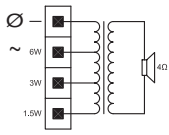
Three keyholes in the rear panel provide easy and quick wall mounting. A convenient, easy-to-use, four-pole push-in terminal block is on the rear panel for on-site wiring. This terminal block has provision for power tapping on the 100 V, matching transformer in the cabinet. It allows selection of nominal full-power, half-power or quarter-power radiation (in 3 dB steps).

Certifications and approvals

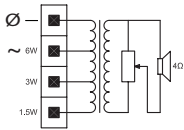
All Bosch loudspeakers are designed to withstand operating at their rated power for 100 hours in accordance with IEC 268-5 Power Handling Capacity (PHC) standards. Bosch has also developed the Simulated Acoustical Feedback Exposure (SAFE) test to demonstrate that they can withstand two times their rated power for short durations. This ensures extra reliability under extreme conditions, leading to



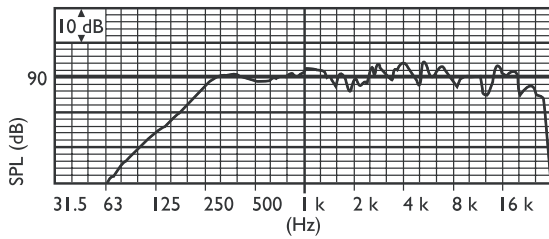
Dimensions LB1-UW06-x in mm showing volume control (1)



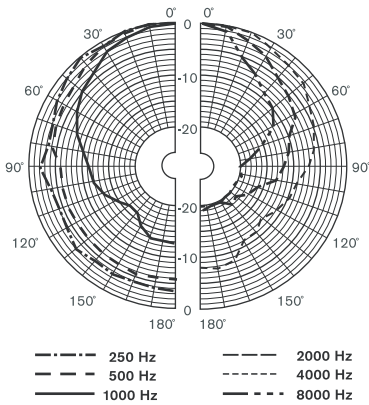
Circuit diagram LB1-UW06-x



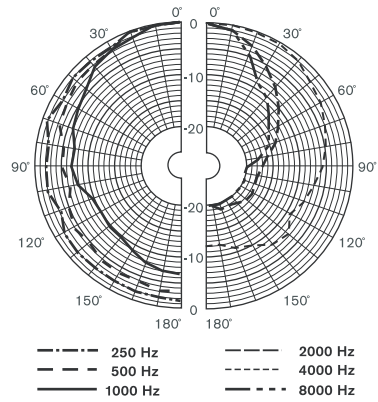
Circuit diagram LB1-UW06V-x



Frequency response



Polar diagram horizontal (measured with pink noise)



Polar diagram vertical (measured with pink noise)

Technical specifications

Electrical*

Maximum power	9 W
Rated power	6 / 3 / 1.5 W
Sound pressure level at 6 W / 1 W (1 kHz, 1 m)	99 dB / 91 dB (SPL)
Sound pressure level at 6 W / 1 W (4 kHz, 1 m)	100 dB / 92 dB (SPL)
Effective frequency range	180 Hz to 20 kHz (-10 dB)
Opening angle	1 kHz / 4 kHz (-6 dB)
horizontal	165° / 95°
vertical	158° / 73°
Rated input voltage	100 V
Rated impedance	1667 ohm
Connector	4-pole push-in terminal block

* Technical performance data acc. to IEC 60268-5

Mechanical

Dimensions (H x W x D)	240x151x141/119 mm (9.4 x 5.9 x 5.6/4.7 in)
Weight	0.9 kg (2 lb)
Color	Black (D) or white (L)
cabinet / cloth (D)	Matches RAL 9004 / RAL 9004
cabinet / cloth (L)	Matches RAL 9010 / RAL 7044

Environmental

Operating temperature	-25 °C to +55 °C (-13 °F to +131 °F)
Storage temperature	-40 °C to +70 °C (-40 °F to +158 °F)
Relative humidity	<95%

Ordering information

LB1-UW06-D Cabinet Loudspeaker

Cabinet loudspeaker 6 W, MDF enclosure with fine-woven cloth front, finished in black, with 3 keyholes for wall mounting.

Order number **LB1-UW06-D**

LB1-UW06V-D Cabinet Loudspeaker with Volume Control

Cabinet loudspeaker 6 W with volume control, MDF enclosure with fine-woven cloth front, finished in black, with 3 keyholes for wall mounting.

Order number **LB1-UW06V-D**

LB1-UW06-L Cabinet Loudspeaker

Cabinet loudspeaker 6 W, MDF enclosure with fine-woven cloth front, finished in white, with 3 keyholes for wall mounting.

Order number **LB1-UW06-L**

LB1-UW06V-L Cabinet Loudspeaker with Volume Control

Cabinet loudspeaker 6 W with volume control, MDF enclosure with fine-woven cloth front, finished in white, with 3 keyholes for wall mounting.

Order number **LB1-UW06V-L**

Represented by:

Americas:

Bosch Security Systems, Inc.
12000 Portland Avenue South
Burnsville MN 55337, USA
Phone: +1-800-392-3497
Fax: +1-800-955-6831
audiosupport@us.bosch.com
www.boschsecurity.com

Europe, Middle East, Africa:

Bosch Security Systems B.V.
P.O. Box 80002
5617 BA Eindhoven, The Netherlands
Phone: + 31 40 2577 284
Fax: +31 40 2577 330
emea.securitysystems@bosch.com
www.boschsecurity.com

Asia-Pacific:

Robert Bosch (SEA) Pte Ltd, Security Systems
11 Bishan Street 21
Singapore 573943
Phone: +65 6571 2808
Fax: +65 6571 2699
apr.securitysystems@bosch.com
www.boschsecurity.asia

China:

Bosch (Shanghai) Security Systems Ltd.
201 Building, No. 333 Fuquan Road
North IBP
Changning District, Shanghai
200335 China
Phone +86 21 22181111
Fax: +86 21 22182398
www.boschsecurity.com.cn

America Latina:

Robert Bosch Ltda Security Systems Division
Via Anhanguera, Km 98
CEP 13065-900
Campinas, Sao Paulo, Brazil
Phone: +55 19 2103 2860
Fax: +55 19 2103 2862
latam.boschsecurity@bosch.com
www.boschsecurity.com