

L-PHP50A Horn Loudspeaker

FEATURES

- Superb audio and music reproduction
- Excellent audio performance and music reproduction
- Divided frequency system
- Wide opening angle
- Simple power setting
- Water and dust protected to IP 65
- Delicate and stylish design
- Compact and high strength fire resistant ABS plastic
- CE and RoHS compliant



PRODUCT DESCRIPTION

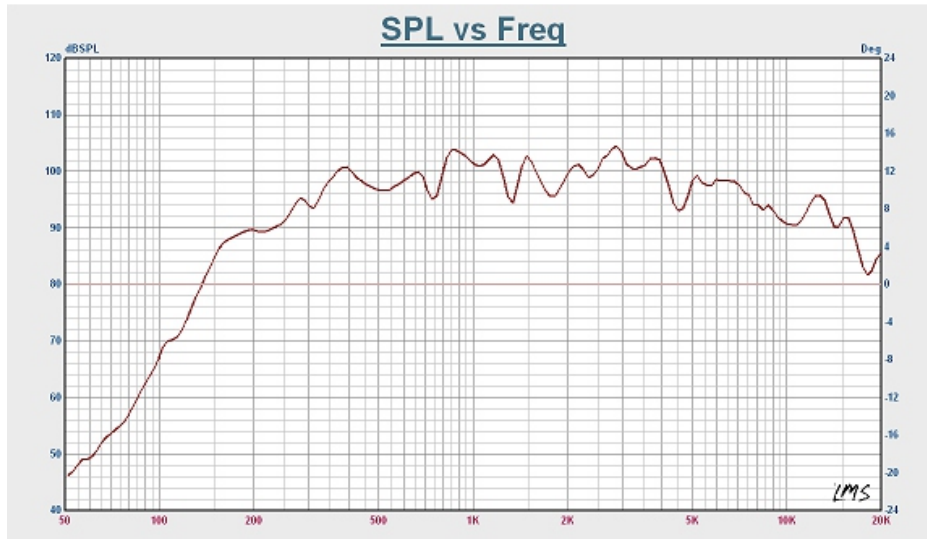
L-PHP50A is a 50W horn loudspeaker, which has a wider frequency response range and higher sensitivity so that it can deliver extraordinary audio performance and high quality music reproduction. The wide opening angle ensures that the sound can be delivered evenly. The horn loudspeaker can be applied to humid or moisture locations like swimming pools, sports fields, parks, passenger liners, schools and railway stations, etc. The strong water proof ABS enclosure protects the unit from harsh weather conditions and external damages. The rectangle

loudspeaker consists of a cavity horn and two transducers (one for low frequency and another for high frequency). Nominal full-power, half-power or quarter-power radiation (in 3 dB steps) can easily be selected by connecting the amplifier output to the appropriate tap. It is also suitable for general indoor use. The strong and adjustable mounting brackets provided help to accurately direct the sound beam. The loudspeaker is CE and RoHS compliant.

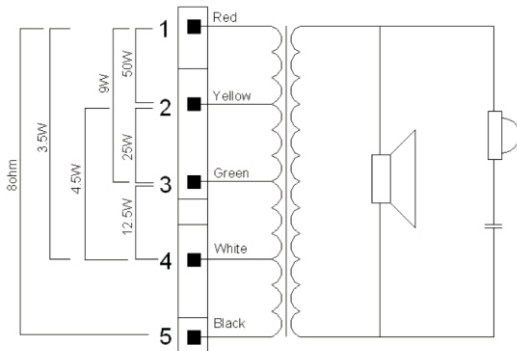
TECHNICAL SPECIFICATIONS

Model	L-PHP50A
Max power	75 W
Rated power	50 W
Power taps	50 W / 25 W / 12.5 W / 9 W / 4.5 W / 2.6 W
SPL at 50W/1W (4KHz, 1m)	101 dB / 86 dB
Frequency range (-10dB)	90 Hz - 20 KHz
Dispersion angle (1KHz / -6 dB)	70°
Rated input voltage	100 V
Rated impedance	200 Ω
Connector	Plastic terminal blocks
Dimensions(W × H × D)	252 × 362 × 310 mm
Weight	4 Kg
Color	Light grey
Material	ABS

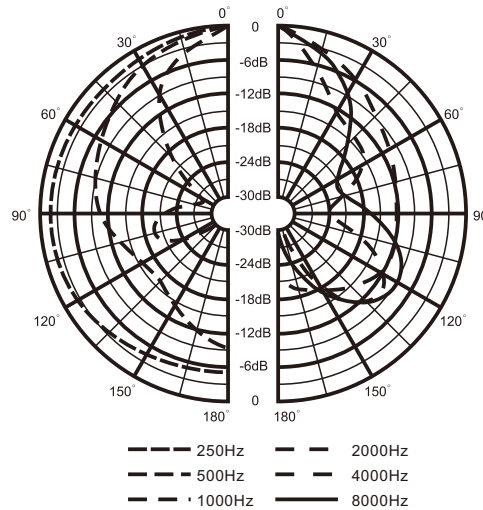
FREQUENCY RESPONSE



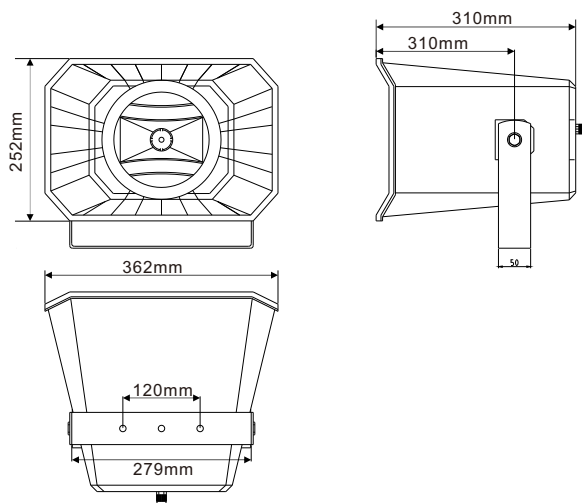
CIRCUIT DIAGRAM



POLAR DIAGRAM



THREE-VIEW DIAGRAM



Honeywell Audiovisuals

No. 257, Junye Road
 Guangzhou GETDD East
 510530 China
 Tel: +86 20 2839 9600
 Fax: +86 20 2820 8706
 www.honeywellav.com

2100040620_EN2.2
 Nov 2012
 © 2012 Honeywell International Inc.

