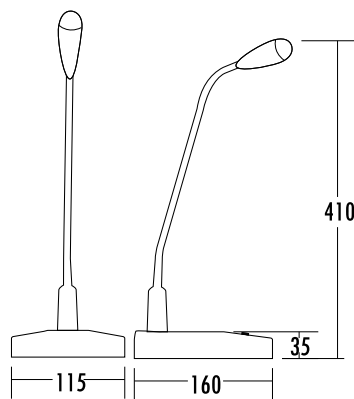




Phantom Power Condenser Mic

T-531



Features

- * Powered by phantom power from amplifier.
- * With red ring indicator for service.
- * XLR convenient connector.
- * High sensitivity flexible gooseneck.
- * Unidirectional condenser microphone.
- * Built-in low frequency attenuator.

Model	T-531
Type	Unidirectional
Frequency Response	50Hz~18KHz
Max Sound Pressure	120dB(at 1KHz ≤1%T.H.D)
Input Sensitivity	200Ω ±30%
Sensitivity	-47dB ±3dB(0dB=1V/Pa at 1KHz)
S/N Ratio	68dB
Power Supply	Phantom power 48V
Mic length	375mm
Output Connector	Balanced XLR connector
Cable Length	3 Meters
Weight	0.88Kg