

Dual-directional Projection Loudspeaker(10W-20W)
Features

- Built-in 100v/70v transformer
- Waterproof projector type loudspeaker
- 2x5" full range speaker unit
- IP66 waterproof level
- Power taps 10w-20w @100V
- Aluminum enclosure and metal bracket

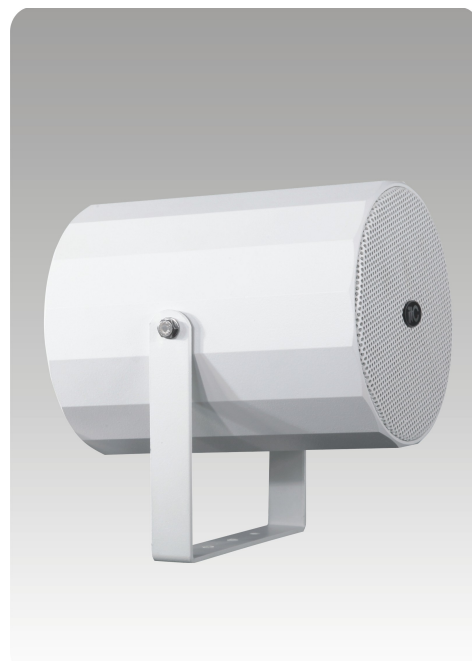
Description

The T-780S is a dual-directional waterproof projection speaker built-in 70v/100v transformer. The 70v/100v transformer technique reduces line losses on longer distance and allows easy parallel connection of multiple loudspeakers.

The built-in two 5" full range speaker drivers are designed of wide frequency response 100-20kHz, the multiple power taps 10W & 20W are helpful for different applications varies from room size and ambient noise surroundings.

The aluminum enclosure and metal bracket are of white color. Easy and secure wall mount installation through the supplied mounting bracket.

It is ideal choice for industrial and commercial applications in the outdoor area of train station, shopping mall, parking area and factory where background music and paging is needed.


Specification

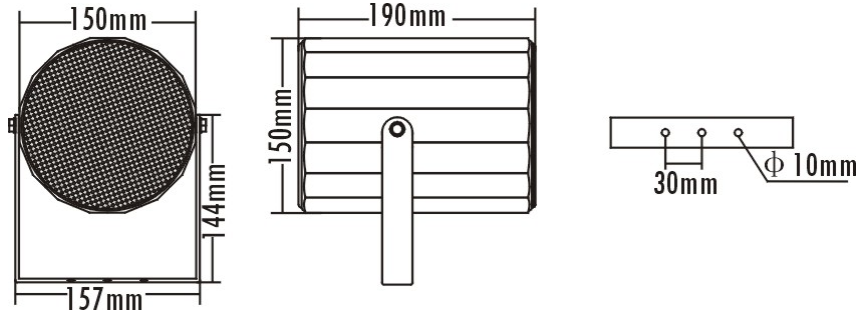
Model	T-780S
Power Taps @100V	10W, 20W
Power Taps @70V	5W, 10W
Impedance	Black: Com White: 1 KΩ Green: 500Ω
ISPL (1W/1M)	95dB
Max. SPL (W/1M)	/
Frequency Response(-10dB)	100-20KHz
Speaker Driver	5" x 2
IP Rate	IP x 6
Dimension	150 x 190mm
Weight	2.7Kg



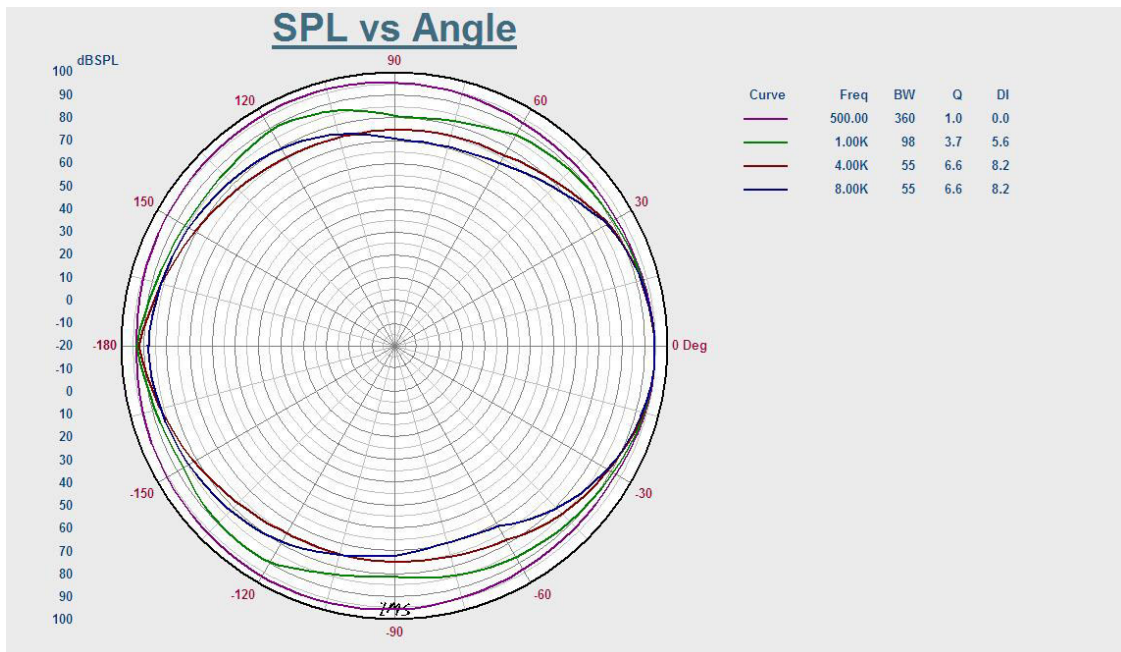
T-780S

Dual-directional Projection Loudspeaker(10W-20W)

Appearance:



Direction Diagram:



Frequency Response:

