

L-PCM06E Ceiling Loudspeaker

FEATURES

- Clear audio and background music reproduction
- Low-profile appearance
- Simple power setting
- In-ceiling mounting with/without back dome
- Multiple installation choices at ease
- Complied with CE and RoHs standard



L-PCM06E



LM2-MMB

PRODUCT DESCRIPTION

L-PCM06E is a cost-effective ceiling loudspeaker which has an excellent audio performance and esthetic appealing enclosure. Its low-profile appearance and compact structure makes it blend easily into various indoor applications.

The loudspeaker has three primary power tapping to meet the basic requirement for most indoor applications. Its metal enclosure protects the internal components from damage of burning flame.

In applications with higher security demand, we offer optional back dome LM2-MMB for choice ,constructing a complete metal

housing, to protect the internal components and in the same time prevent the flame from going through the loudspeaker to burn the devices upon the ceiling.

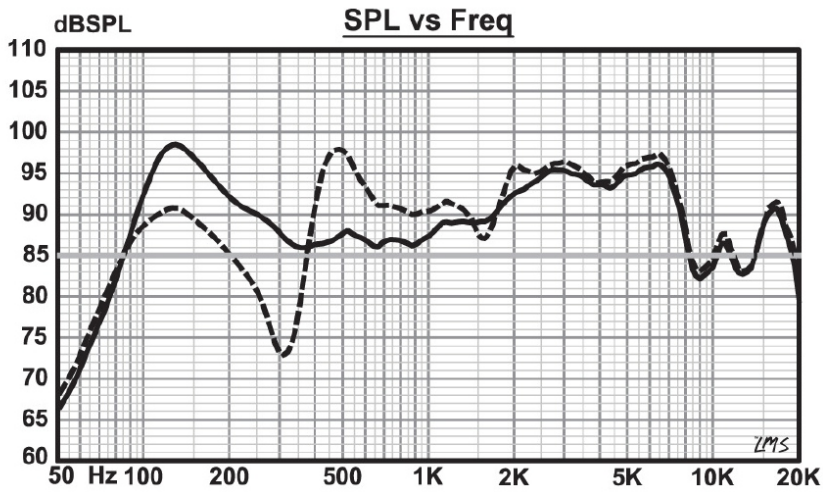
With precise ergonomic design, you would find the mounting of back dome to the loudspeaker easier than easier.

The enclosure and back dome are both made of metal, and it is complied with CE and RoHS standard.

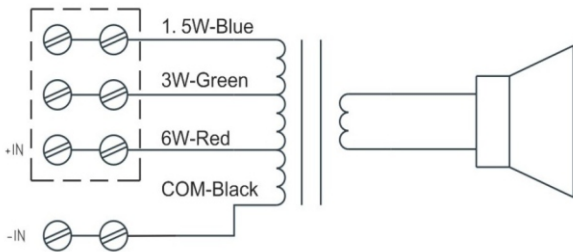
TECHNICAL SPECIFICATIONS

| Model | L-PCM06E | LM2-MMB |
|---|---|-----------------------|
| Max power | 9 W | |
| Rated power | 6 W | |
| Power tapping | 6 W / 3 W / 1.5 W | |
| Sound pressure level at 6 W/1 W (1m,100Hz ~ 10k Hz) | 100dB / 92 dB | |
| Effective frequency response range (-10dB) | 100 Hz - 20k Hz | |
| Dispersion angle (1k Hz / -6 dB) | 112° | |
| Rated input voltage | 100 V / 70 V | |
| Rated impedance | 1.7k Ω / 3.3k Ω / 6.7k Ω | |
| Connection | Plastic terminal blocks | |
| Dimensions (Φ × H) | Φ 198 mm × 68 mm | Φ 165 mm × 89 mm |
| Hole cut-out size | Φ 166 mm | |
| Weight | 0.53 kg | 0.26 kg |
| Color | White(RAL9003) | White(RAL9003) |
| Speaker size | 152mm(6 inch) | |
| Material | Metal | Metal |

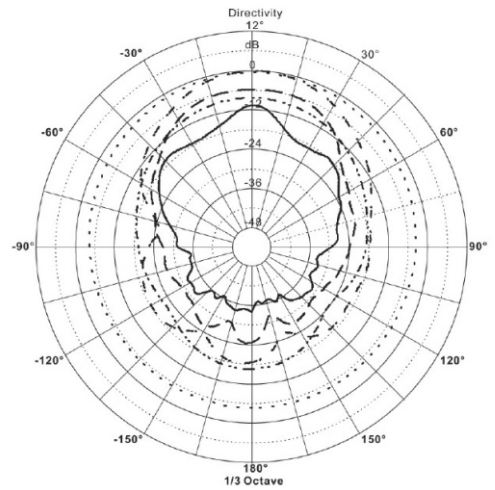
FREQUENCY RESPONSE



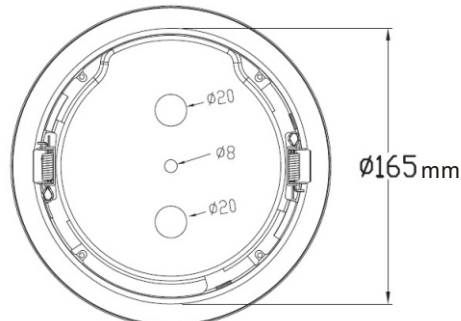
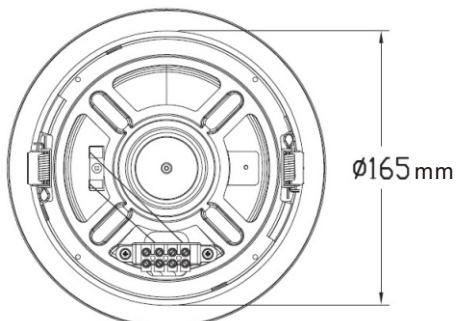
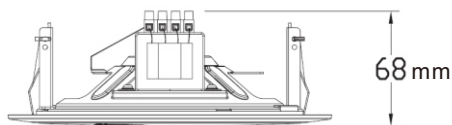
CIRCUIT DIAGRAM



POLAR DIAGRAM



THREE-VIEW DIAGRAM



Honeywell Audiovisuals

2100040585_EN2.1

July 2015

© 2015 Honeywell International Inc.

www.honeywellav.com

Honeywell