

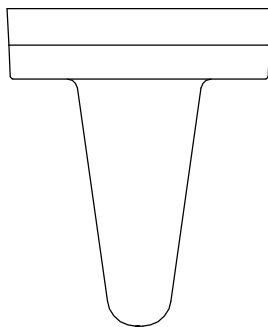
DESCRIPTION

The wireless antenna YW-4500 has been designed for UHF band wireless system. Cable loss can be compensated for by a built-in RF signal booster. The YW-4500 is a dipole antenna designed to be installed in doors. Use the coaxial cable with 75 Ω impedance.

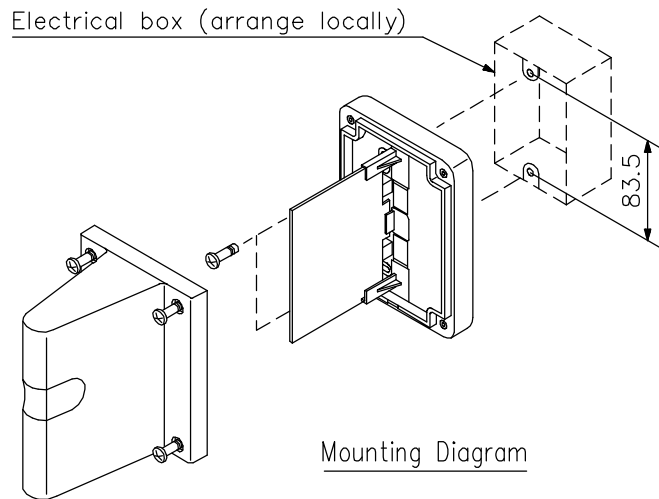
SPECIFICATIONS

| | |
|----------------------------|---|
| Power Source | 7 - 12 V DC (supplied from amplifier or tuner) |
| Current Consumption | 15 mA or less |
| Receiving Frequency | 550 - 932 MHz, UHF |
| Dipole Ratio Relative Gain | 8 dB or more (780 MHz) |
| VSWR | 3.0 or less |
| Output Impedance | 75 Ω |
| Mounting Hole Pitch | 83.5 mm (dimensions for wiring box) |
| Operating Temperature | -10 °C to +50 °C |
| Operating Humidity | 30 % to 85 %RH (no condensation) |
| Finish | AES resin, off-white |
| Dimensions | 105 (W) × 140 (H) × 126 (D) mm |
| Weight | 270 g |
| Accessory | M3.5 screw for wiring box...2, Tapping screw (M4) for wooden wall...2, RG-6/U or RG-11/U sleeve...1 |

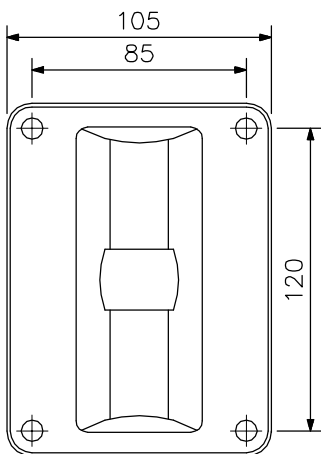
APPEARANCE



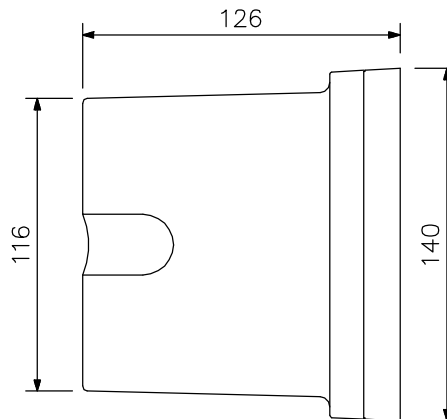
Bottom View



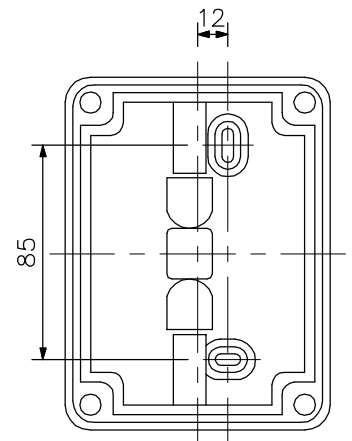
Mounting Diagram



Front View



Side View



Rear View

* Mounting holes are 12 mm out of the unit's center.

UNIT: mm SCALE: 1/3